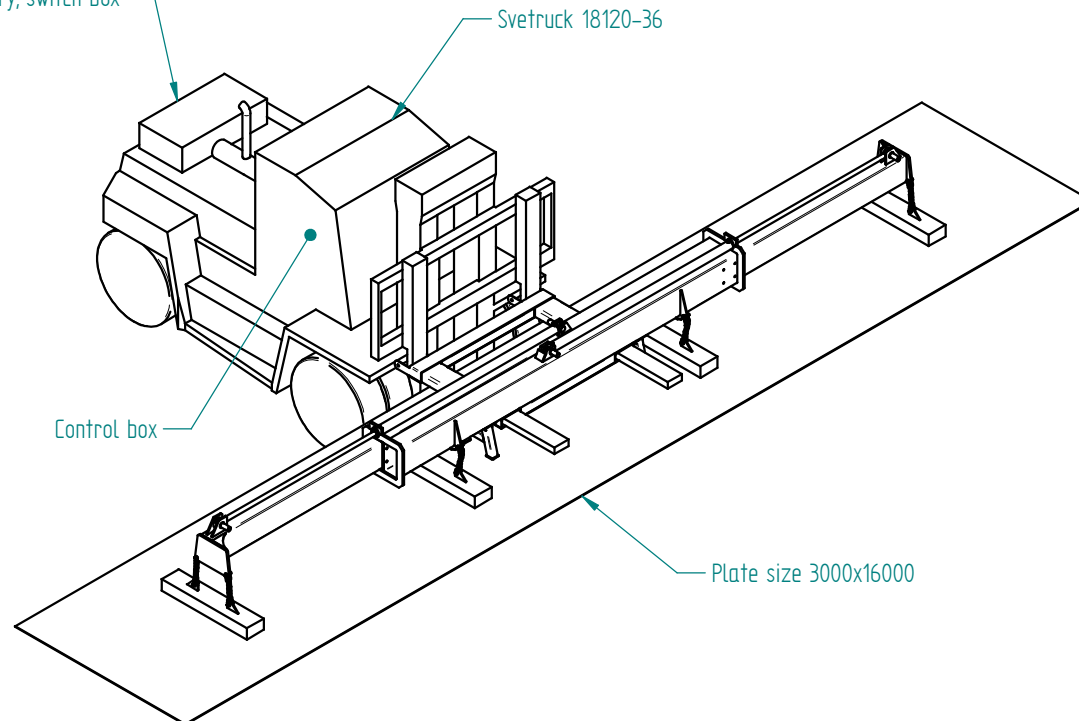


Engine generator, battery, switch box

Svetruck 18120-36

Control box

Plate size 3000x16000



Drw: MM-GM	Size, std:	Tolerance	Geometric tolerance symbols acc. ISO1101
Chk: M.M	Material:	ISO 2768-1	General tolerance symbols acc. ISO2768
App:	Finish:	Next assmbl.	
Prod:	Client:	Description	
Sheet: 1 of 1	Order No:	Magnetic Lifter (GA)	
Scale 1:1	Mass 9122 kg	Metric: mm	Drawing number
			Rev.